

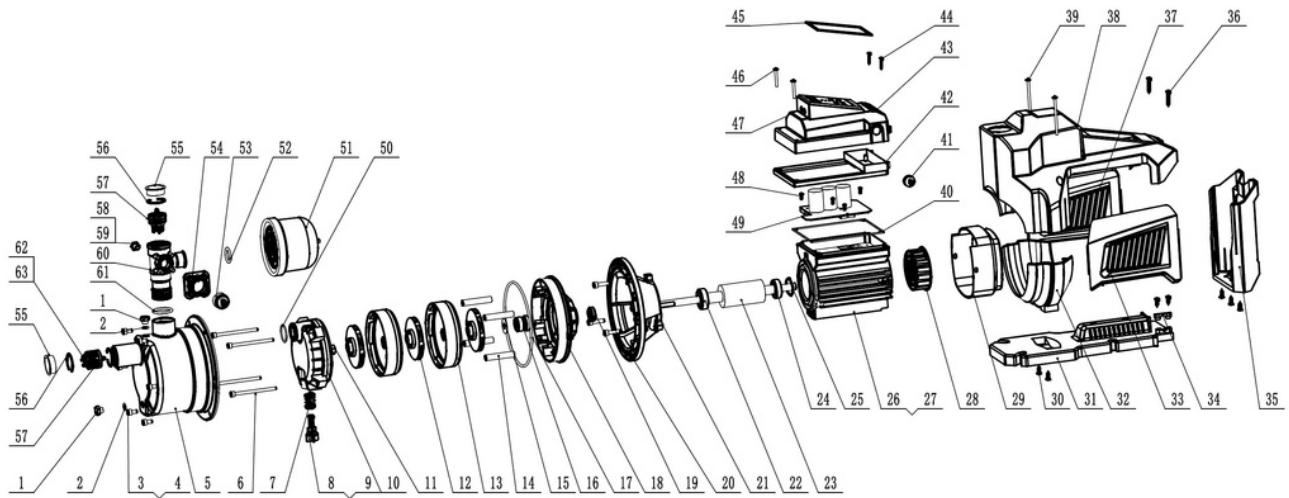
TECNOBOOST 5

**Permanent magnet variable frequency
multistage centrifugal pumps 50/60 Hz**

PARTS LIST



EXPLODED VIEW



Part No.	Description	Part No.	Description
1	Drain plug	33	Motor heatsink shell
2	Sealing gasket	34	Clamp
3	Screw	35	Support
4	Gasket	36	Screw
5	Pump body	37	Motor heatsink shell
6	Screw	38	Shell (upper)
7	Check valve spring	39	Screw
8	Check valve	40	Gasket
9	Sealing gasket	41	Protecting bush
10	Diffuser	42	Cover box (lower)
11	Nut	43	Cover box (upper)
12	Impeller	44	Screw

Part No.	Description	Part No.	Description
13	Baffle	45	Sealing gasket
14	Studdle	46	Screw
15	Gasket	47	Line seal gasket
16	Mechanical seal	48	Screw
17	Sealing gasket	49	PCB circuit board
18	Baffle	50	Sealing gasket
19	Water deflector	51	Tank
20	Screw	52	Sealing gasket
21	Suppot	53	Pressure sensor
22	Bearing	54	Support
23	Rotor	55	Dust cover
24	Bearing	56	Circlip
25	Wave spring	57	Check valve (inlet/outlet)
26	Motor stator shell	58	Temperature sensor
27	Winding	59	Sealing gasket
28	Fan	60	Five-way
29	Fan cover	61	Sealing gasket
30	Screw	62	Sealing gasket
31	Plastic base	63	Check valve base
32	Shell (lower)		

For more information, contact Tecnodyne Service Team at service@tecnodyne.ca

TECNODYNE



TECNODYNE PUMPS INC.

02 Sheppard Ave E, North York
Ontario, Canada M2N 5Y7
T: +1 438-308-2072
info@tecnodyne.ca
www.tecnodyne.ca