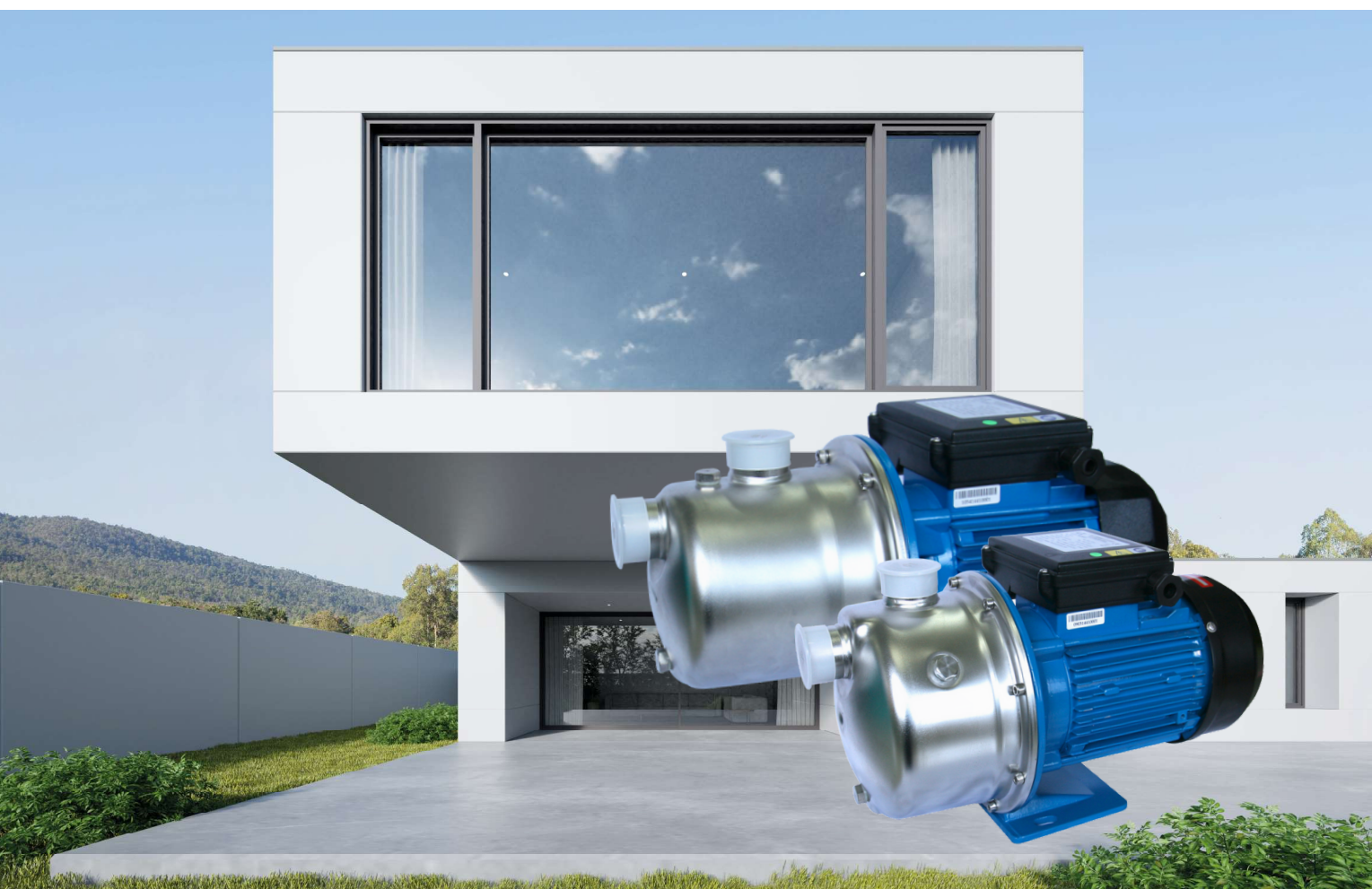


TJ Series

Self-priming jet pump (stainless steel)
50 Hz

PRODUCT CATALOGUE



SELF-PRIMING JET PUMP

Sturdy & Durable

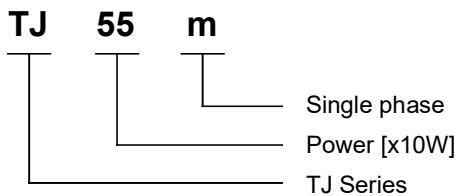
Product Description

TJ is a high-efficient, stainless steel self-priming jet pump. It is suitable for lifting water from well, water supply in villas, hotels, garden irrigation, and clean water pressurization.

Material

- Pump body: Stainless steel
- Pump support: Stainless steel
- Impeller: Stainless steel
- Motor housing: Aluminum
- Mech seal: Silicon carbide

Model Description

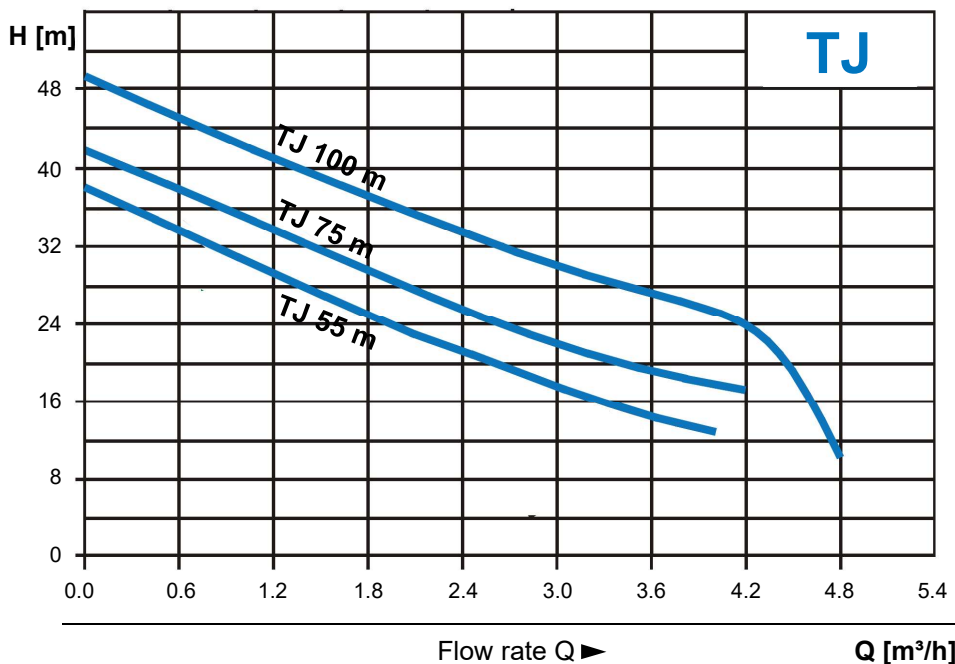


TJ 55



TJ 75

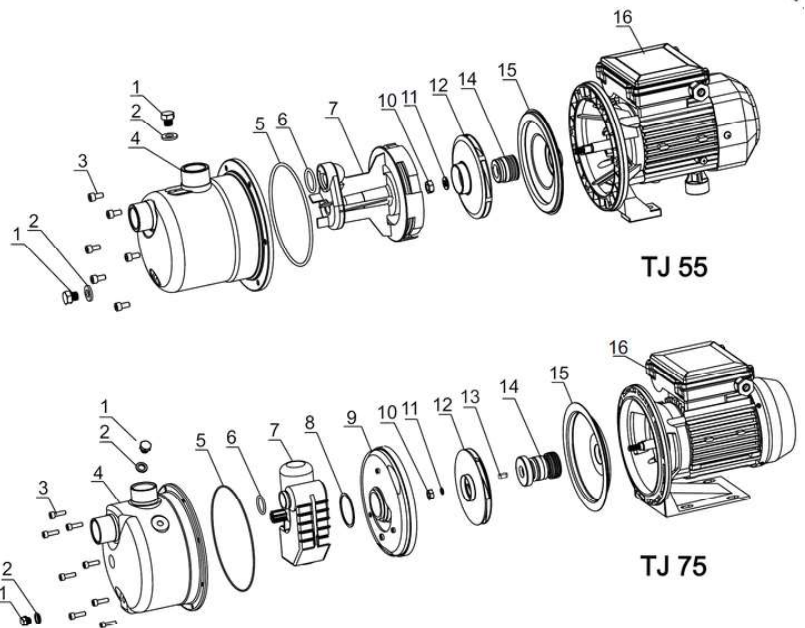
Performance Curve



PRODUCT OVERVIEW

Efficient & Reliable

Part No.	Description
1	Plug
2	Washer
3	Hexagonal bolt
4	Pump housing
5, 6	O-ring
7	Ejector
8	Gasket
9	Difusser
10	Hexagonal nut
11	Spring washer
12	Impeller
13	Key
14	Mechanical seal
15	Pump cover
16	Motor



Operating Data

- Medium: clean water or non-aggressive liquid (free of solids or fiber)
- Medium temperature: 0 ~ 70 °C
- Max. ambient temperature: 50 °C
- Max. working pressure: 0.8 MPa
- Max suction head: 9 m

Key Features

- The pump casing, pump cover, and shaft are made of stainless steel.
- Easy to install
- High efficiency and energy saving
- Reliable and safe

Motor

- Insulation Class: F
- Protection Class: IP55
- Continuous Service: S1
- Built-in thermal protector (single phase)
- Power: 1ph x 220V / 50Hz (60Hz is optional)

Model	Power [W]	Power [hp]	Rated Flow [m³/h]	Rated Head [m]	Pipe Size [mm]	G. W. [Kg]	Package size [mm]
TJ 55 m	0.55	0.75	2.2	22	25	9	385x220x245
TJ 75 m	0.75	1.0	2.4	25	25	10	385x220x245
TJ 100 m	1.0	1.3	3.0	30	25	12.5	460x220x295

TECNODYNE

TECNODYNE PUMPS INC.

02 Sheppard Ave E, North York
Ontario, Canada M2N 5Y7
T: +1 (438) 308-2072
info@tecnodyne.ca
www.tecnodyne.ca