

TPD Series

TPD 25-6S Circulation Pumps 50Hz

PRODUCT CATALOGUE



CIRCULATION PUMPS

Efficient & Reliable

Series Description

The pump contains two parts: a hydraulic section and a motor (with a wet rotor). The hydraulic section contains a pump housing, and impeller while the motor includes a stator, rotor, cartridge, and air-venting nut. The pump does not use a mechanical seal. The stator and rotor are sealed with a cartridge made of stainless steel and two heat-resistant rubber rings, which ensure no leakage. Lubrication of bearings and cooling of the motor by the inner circulation of the pumped liquid. It can be used in single pipe or double pipe heating system. It also can be used in apartments, villas, cooling, air-conditioning, boilers and solar systems etc.

Application

- Hot water circulation for all heating systems.
- Industrial circulation systems.
- HVAC systems.
- Chilled water systems

Materials

Pump housing: Cast Iron/Bronze/Stainless steel

Impeller: Plastic

Shaft: Ceramic / Stainless steel

Bearing Base: Stainless steel

Bearing: Ceramic/ Baptist antimony graphite

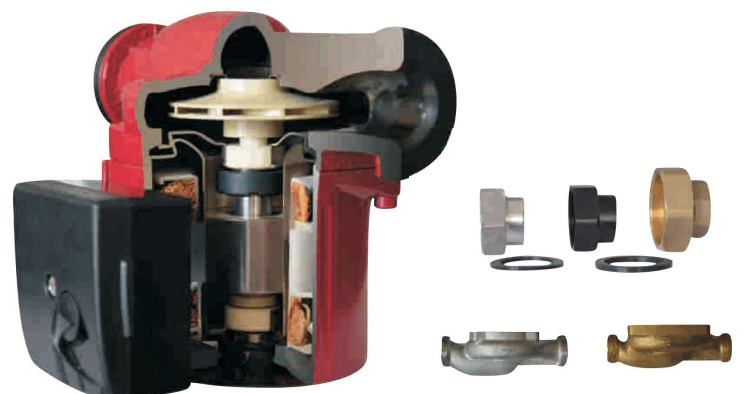
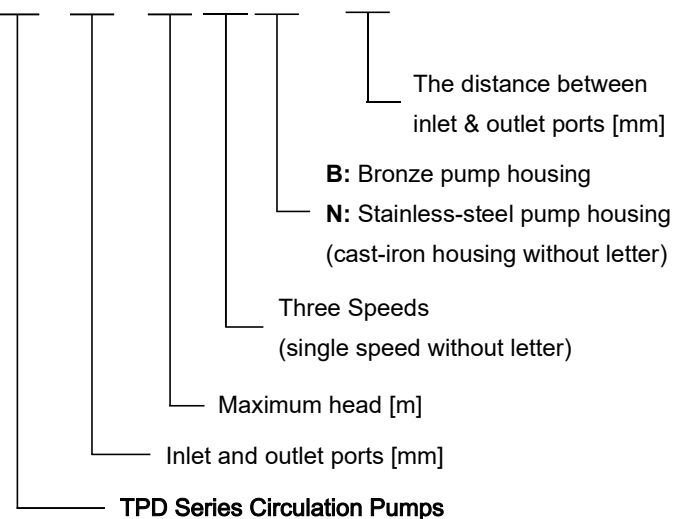
Connection: Cast iron / Bronze / Stainless steel

Pump with Cast iron housing is widely used for delivering water for room heating. Pump with Bronze housing is largely used in the floor heating system.



Model Description

TPD 25 - 6 S B / 180



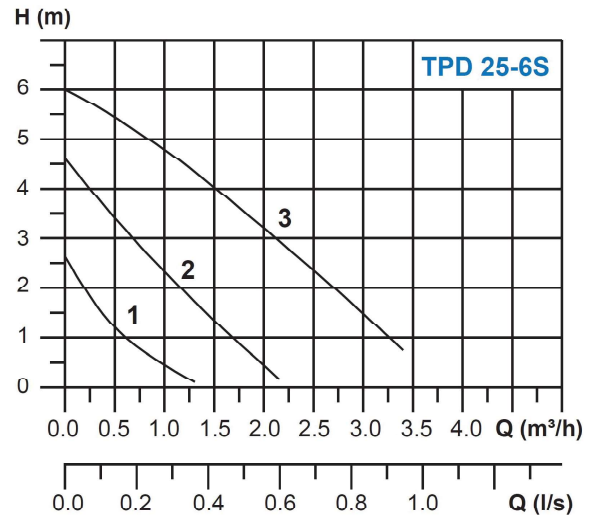
PRODUCT OVERVIEW

TPD 25-6S

Operating Data

- Medium: thin, clean, non-corrosive and non-explosive liquid, does not contain any solid particles, fibers or mineral oil.
- Maximum system pressure: 1.0 MPa.
- Min / Max medium temperature: 2 ~ 110 °C
- Min / Max. ambient temperature: 0 ~ 40 °C

In order to avoid condensed water in stator, make sure the ambient temperature is lower than liquid temperature.

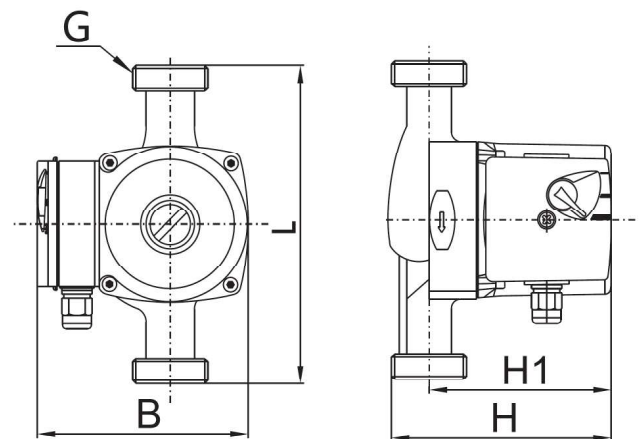


Motor

- Insulation Class: H
- Protection Class: IP44
- Motor fixed with thermal protector
- Single speed or three speeds.
- Power: 1ph x 230V / 50Hz

Features

- Low noise operation.
- No leakage.
- Ecological safety in operation.
- Easy installation and reliable operation.



Model	Max. Flow [m³/h]	Max. Head [m]	Rated Power [W]	Rated Current [A]	Power Input / Output [W]	Voltage [V]	Pump Housing Material
TPD 25-6S	3.3	6.0	100 / 70 / 55	0.45 / 0.35 / 0.25	100 / 30	230	Cast Iron / Bronze / Stainless Steel

Dimensions & Weight

Model	Dimension [mm]					Weight [Kg]		Volume [m³]	Connec-tion / Flange	Package size [mm]	
	L	H	H1	B	G	N.W	G.W			Inner box	Outer box
TPD 25-6S	130 / 180	130	105	130	1½"	2.6	3.2	0.0041	1½" - 1"	170×140×145 / 200×140×145	350×290×300 / 410×290×300

TECNODYNE

TECNODYNE PUMPS INC.

02 Sheppard Ave E, North York
Ontario, Canada M2N 5Y7
T: +1 (647) 255-2270
info@tecnodyne.ca
www.tecnodyne.ca

TECNODYNE (China) Ltd.

Suite C, Level 7, World Trust Tower
50 Stanley Street, Central
Hong Kong
hk@tecnodynepumps.com
www.tecnodynepumps.com