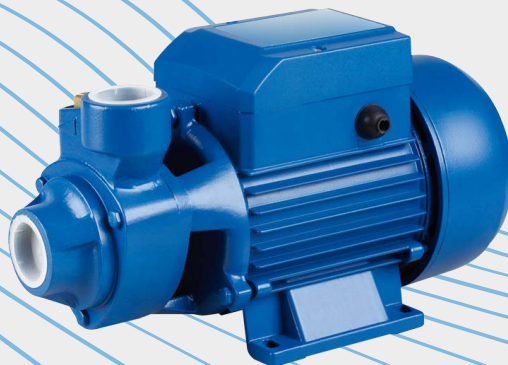


TPP Series
Peripheral Pumps

PRODUCT CATALOGUE



PRODUCT OVERVIEW

Simple Construction

Product Description

TPP is a peripheral pump with a peripheral impeller containing numerous radial blades at its edge. It is suitable for pumping clean water and chemically non-aggressive liquid. It is reliable and safe and has a simple construction. It is widely used for domestic applications such as water supply, pressure boosting, and garden irrigation.

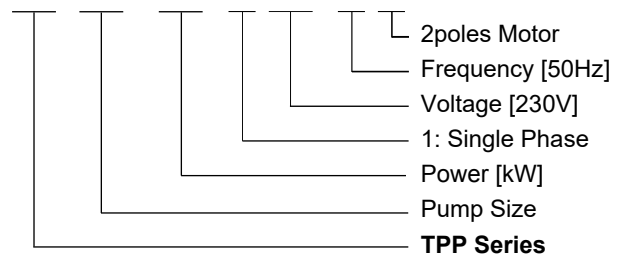


Material:

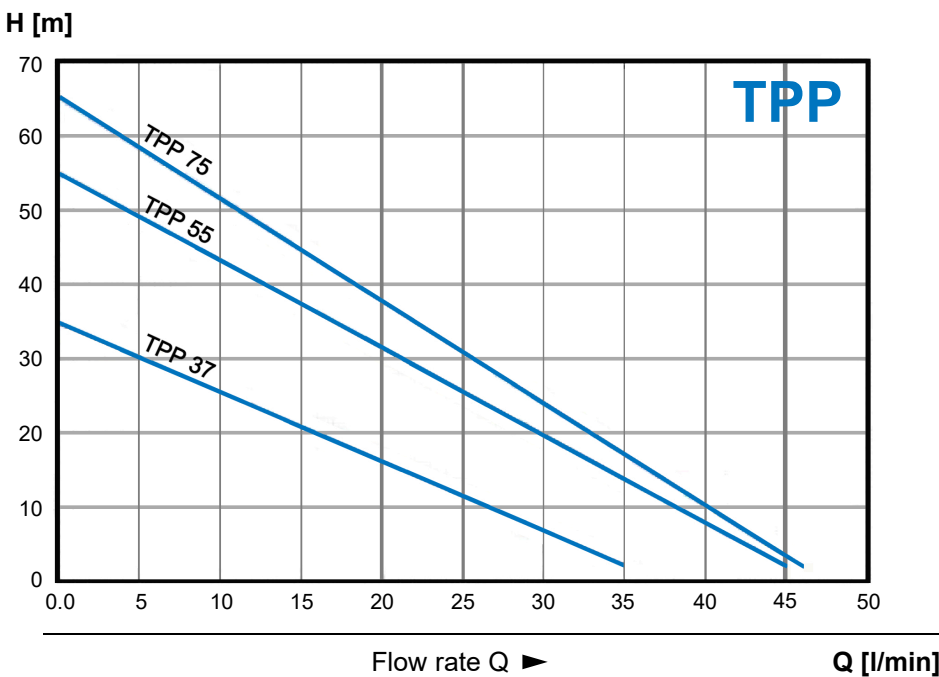
- Pump body: Cast iron
- Impeller: Brass
- Shaft: Steel / Stainless steel
- Motor housing: Aluminum
- Mech seal: Ceramic steatite / metalized carbon

Model Description

TPP 37 / 0.37-1-230-50-2

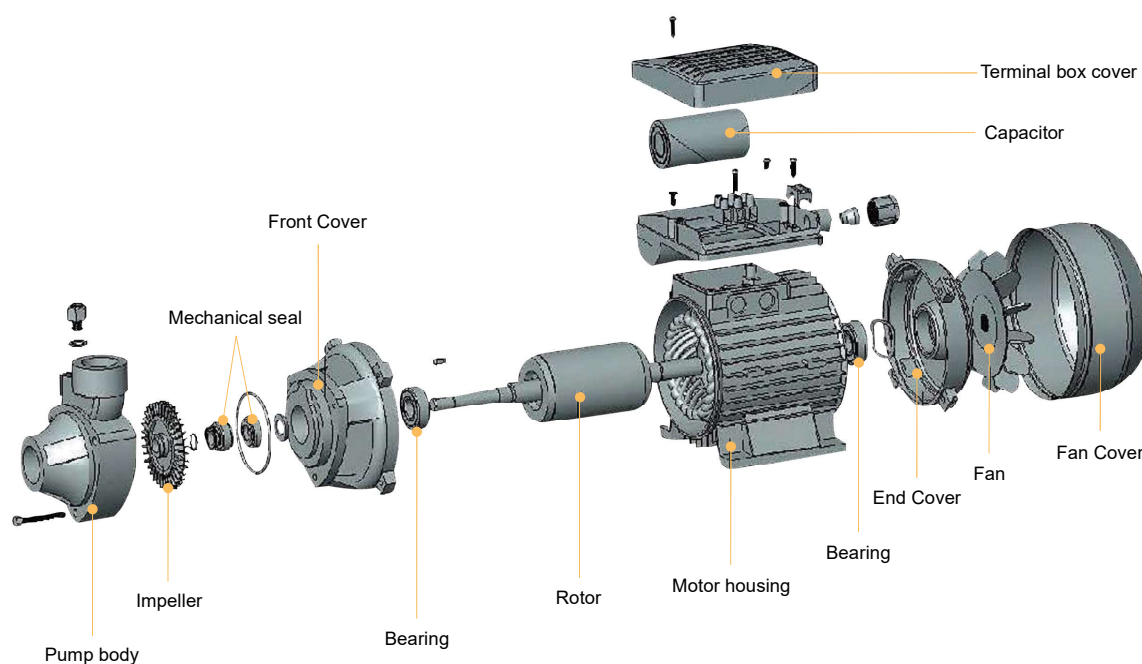


Performance Curve



PRODUCT OVERVIEW

Efficient & Reliable



Operating Data

- Medium: clean water or non-aggressive liquid (free of solids or fiber)
- Max liquid temp: 80 °C
- Max ambient temp: 40 °C
- Max suction: 9 m

Key Features

- Simple construction
- Easy to install
- High efficiency and energy saving
- Reliable and safe

Motor

- Insulation Class: F
- Protection Class: IP54
- Continuously rated
- Externally ventilated
- 1ph x 220V-50Hz (60Hz is optional)

Model	Power [kW]	Power [hp]	Max. Flow [l/min]	Max. Head [m]	Pipe Size [mm]	Weight [kg]	Package Dimensions [mm]
TPP 37	0.37	0.5	35	35	25	5.5	275x145x185
TPP 55	0.55	0.75	45	55	25	9	310x185x200
TPP 75	0.75	1.0	46	65	25	10.5	310x185x200

TECNODYNE

TECNODYNE PUMPS INC.

02 Sheppard Ave E, North York
Ontario, Canada M2N 5Y7
T: +1 (647) 255-2270
info@tecnodyne.ca
www.tecnodyne.ca

TECNODYNE (China) Ltd.

Suite C, Level 7, World Trust Tower
50 Stanley Street, Central
Hong Kong
hk@tecnodynepumps.com
www.tecnodynepumps.com